

APOCOIL

Cable Reeler System

The most convenient and safest way to store and handle aircraft service cables

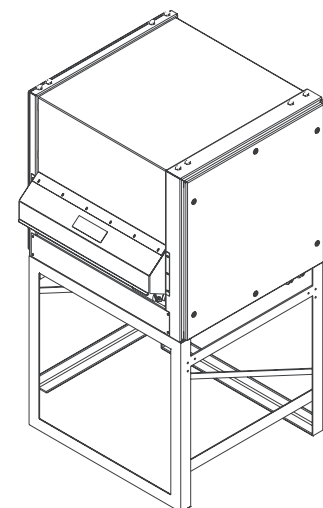
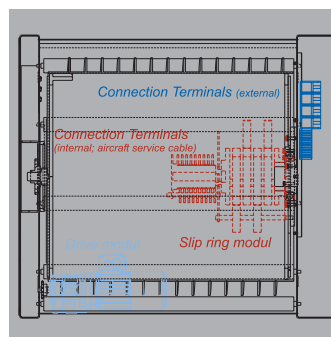
The APOCOIL cable reeler system stores 400Hz power cables at boarding bridges and aprons by using a motor driven coiling drum. The system is mounted either under the front end of the boarding bridge, on top of a frequency converter or on a support stand on the apron.

The APOCOIL is operated by push buttons at the aircraft plug and/or via a remote control panel. Optionally it is equipped with 400Hz power cable and aircraft plug in accordance with customer specification



The system consists of:

- aluminum housing with integrated termination box
- aluminum coiling drum with spiral channel for single jacket cable
- cable pressure reeler
- cable guide at inlet
- limit switches
- gear motor with brake
- power transmission by wear & tearless slip rings
- internal control device
- soft start /stop device



Nothing protects quite like Piller

TECHNICAL DATA SHEET

APOCOIL Cable Reeler System



Type	APOCOIL
Weight approx.(without cable)	255kg / 562lbs
Dimensions (w x d x h)	
- stand alone mm/IN	1127 x 1125 x 1016 / 44.4 x 44.3 x 40
- on support stand mm/IN	1127 x 1125 x 2030 / 44.4 x 44.3 x 80
Supply voltage 3ph	1 ph 230V 50Hz or 1 ph 120V 60Hz
Power	< 700W
Speed of cable	adjustable, up to 34m/min
Max. cable length to store	up to 28m
Type of cable	rubber or polyurethane cable with 42 - 54mm diameter
Connections	right side (from bottom or back)
Housing	aluminum (stainless steel on request)
Ingress protection	
- Cable Reeler	IP 54 / NEMA 3R (outdoor)
- Remote Control Panel (Accessory)	IP 54 / NEMA 3R (outdoor)
Paint finish	RAL 7032 (other colors on request)
Paint treatment	phosphatized, primed and powder sprayed RAL 7032 (other colors on request)
Ambient temperature °C / °F	-20 to +50 / 0 to +122
Humidity	max. 95% without condensation
Options	Support stand With aircraft service cable and aircraft plug in accordance with customer specification

Remote Control Panel (option)

Push buttons	cable up, cable down, bypass
Housing	metal steel sheet, phosphatized, dip primed and powder sprayed, RAL 7032



Piller Power Systems GmbH

Abgunst 24, 37520 Osterode

Germany

T +49 (0) 5522 311 0

F +49 (0) 5522 311 414

E info@piller.com

www.piller.com



PILLER
Power Systems

A Langley Holdings Company