

APOJET 28V DC GPU

28V DC Solid State Aircraft GPU*

- **Voltage Regulation**
- **Current Regulation**
- **Galvanic Isolation**

The 28VDC solid state ground power unit is designed to generate 28VDC power for aircraft equipment. The system is available either as stationary or mobile version. Using the latest state-of-the-art technology and newest trends in the power electronics field and digital control, the system offers the best solution for aircraft ground power supply systems.

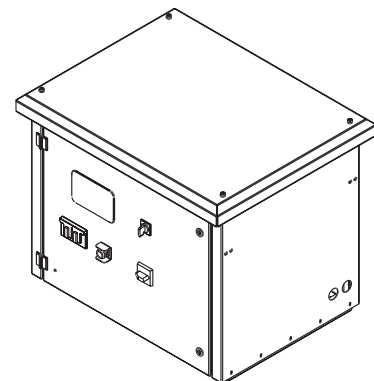
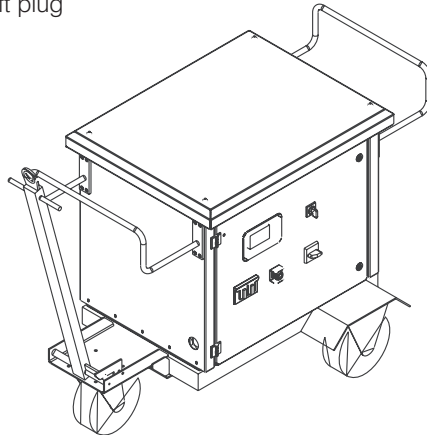
A high degree of user friendliness is achieved by the intelligible control panel.



Rating 400 & 600A

- compact dimensions and a fully solid state design
- input circuit breaker
- output voltage regulation and current limiting by electronic control
- 6 pulse uncontrolled rectifier
- isolating transformer
- output filter
- interface for remote control and centralised control/indication, PC or modem connection
- optional mains cable and output cable to customers' specifications
- optional 28VDC aircraft plug

* Ground Power Unit



Nothing protects quite like Piller

TECHNICAL DATA SHEET

APOJET 28V DC GPU 28V DC Solid State Aircraft GPU



Type	APOJET 28V DC GPU	
	400A	600A
Efficiency	> 90%	
Weight approx.	250kg / 551lbs	270kg / 595lbs
Dimensions (w x d x h) mm/IN	Stand alone cabinet	953 x 753 x 757 / 37.5 x 29.6 x 29.8
	with holders/wheels	1500 x 753 x 915 / 59 x 29.6 x 36
	on trailer	1762 x 753 x 868 / 69.4 x 29.6 x 34.2
Ingress protection	IP 43 / NEMA 1 or optional IP 54 / NEMA 3R	
Ambient temperature °C / °F	0 to +40 (-20 to + 40) / +32 to +104 (0 to +104)	
Humidity	max. 95% without condensation	
Cable entry	bottom entry, left or right hand side entry	
Paint finish	RAL 7035 (other colors on request)	
Paint treatment	phosphatized, primed and powder sprayed	

Input Data

Input power	13.3KVA	20KVA
Nominal input current @		
208V 50/60Hz	38A	56A
230V 50/60Hz	35A	51A
400V 50/60Hz	20A	29A
480V 60Hz	16A	24A
575V 60Hz	13.5A	20A
Nominal voltage, 3phase	208V, 230V, 400V (50/60Hz) and 480V, 575V (60Hz) ± 10%	
Nominal frequency	50Hz, 60Hz ± 5%	
Power factor	~ 1 (unity)	

Output Data

Nominal current	400A	600A
Peak current	1600A	2000A
Current limiter	adjustable (50 A to nom. current), 1200, 1500, max.	
Nominal voltage	28VDC	
Voltage adjustment range	20 - 31V	
Remote voltage regulation	26 - 29V	
Voltage deviation		
- steady state	± 1%	± 1%
- dynamic	acc. to MIL-Std. 704 F, fig 13	acc. to MIL-Std. 704 F, fig 13
Recovery time	≤ 200ms	
Ripple	< 1V	
Convenience duplex receptacle	230V, 240V or 115V 50 or 60Hz (frequency depending on mains input)	



Piller Power Systems GmbH

Abgunst 24, 37520 Osterode
Germany
T +49 (0) 5522 311 0
F +49 (0) 5522 311 414
E info@piller.com

www.piller.com

Rev.: GSE 13a_0303_AJS20_90



PILLER
Power Systems

A Langley Holdings Company