

APOJET R 90 - 1500 (50 / 400Hz)

Latest Generation of Rotary GPU*

- **High Overload Capability**
- **Best Reliability**
- **No Mains Disturbance**

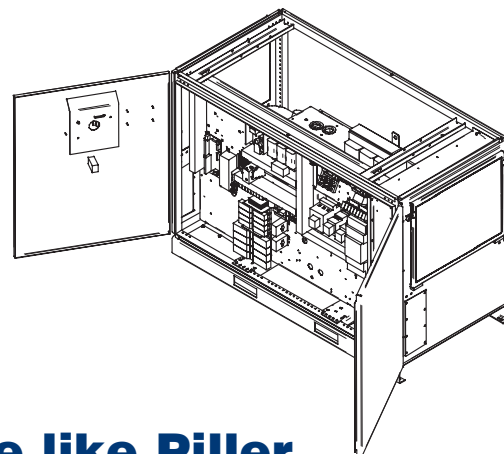
The APOJET R rotary frequency converter is designed to generate 400 Hz power for aircrafts as a decentralized ground power system mounted on the apron or near by the rotunda. Using the latest state-of-the-art technology for the system control and several decades of experience in manufacturing of rotary converters, the APOJET R offers the best reliability for aircraft ground power supply systems with high overload capability and with absolutely no mains disturbance.



Rating 90 to 150KVA

- monobloc converter (two bearings only)
- high overload capability
- noise reducing compact design (one cabinet containing converter and switchgear)
- special earth leakage protection
- stable operating performance due to microprocessor control
- low output distortion factor
- no mains disturbance
- high degree of user-friendliness due to intelligible control panel
- interface for remote control and centralised control / indication, PC or modem connection

* Ground Power Unit



Nothing protects quite like Piller

TECHNICAL DATA SHEET

APOJET R Latest Generation of Rotary GPU



Converter Type	AJR 90	AJR 120	AJR 150
Total efficiency*	~ 84%	~ 84%	~ 87%
Weight approx. kg / lbs	1675 / 3693	1705 / 3759	1900 / 4189
Dimensions (w x d x h)			
- indoor mm / IN	1810 x 1010 x 1110 / 71.3 x 39.8 x 43.7		2362 x 1010 x 1300 / 93 x 39.8 x 51.2
- outdoor mm / IN	2000 x 1100 x 1165 / 78.7 x 43.3 x 45.9		2500 x 1100 x 1360 / 98.4 x 43.3 x 53.6
Ingress protection	IP 43 / NEMA 1 (indoor) or IP 54 / NEMA 3R (outdoor)		
Ambient temperature °C / °F	with internal heater: -20 to + 40 / 0 to +104 without internal heater: 0 to +40 / +32 to +104		
Humidity	max. 95% without condensation		
Cable entry	bottom or left side entry		
Paint finish	RAL 7032 (other colors on request)		
Paint treatment	phosphatized, primed and powder sprayed		

Input Data

Starting current	≤ I nom	≤ I nom	≤ I nom
Nominal input current	105A	138A	178A
Nominal voltage, 3 phase		480V ± 10%	
Nominal frequency		60Hz ± 5%	
Harmonic content at mains current		< 1%	

Output Data

Output power at p.f. 0.8	90KVA	120KVA	150KVA
Nominal output current	260A	346A	433A
Nominal frequency		400Hz	
Nominal voltage 3ph		200/115V	
Voltage adjustment range		± 5%	
Automatic line drop compensation	12% with activated remote voltage sensing or I-boost®		
Voltage characteristics	- steady state ± 1% - dynamic ≤ ± 15% acc. to MIL-Std. 704 F, fig 3		
Harmonic content L - L	≤ 3 % at linear, balanced load, p.f. 0.8		
Recovery time		≤ 200ms	
Wave form		sinusoidal	
Phase angle		120° ± 1.5°	

* nominal output power at p.f. 1



Piller Power Systems GmbH

Abgunst 24, 37520 Osterode
Germany
T +49 (0) 5522 311 0
F +49 (0) 5522 311 414
E info@piller.com

www.piller.com

Rev.: GSE_18a_0309_AJR



PILLER
Power Systems

A Langley Holdings Company