

APOJET Trailer

Mobile version

- Available for AJS & AJR
- Increases Availability &
- Reduces Down Times
- Minimum of Maintenance

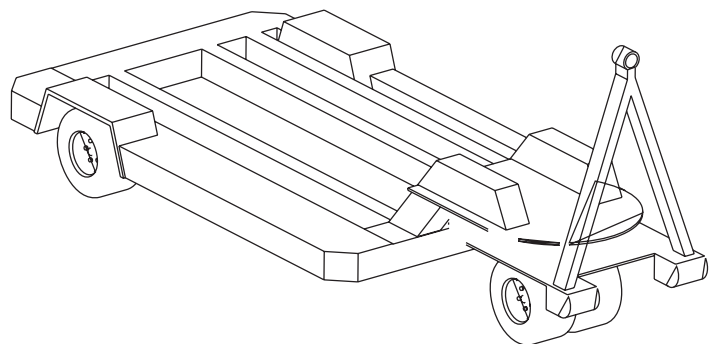
The Piller Trailer is available for the following APOJET frequency converters types:

AJS, AJS FL, AJR, AJR FL and AJS Combi.

It is designed to mobilize your frequency converter thus ensuring an optimum of accessibility. A mobile version guarantees the most efficient solution of your APOJET system independent to the installation site.



- four wheel version with 4.00 x 8 rubber tires
- galvanized steel frame
- tow bar
- braking system
- cable carrier (optional)
 - up to 40m of supply cable
 - 5 or 10m output cable with standard plug
- additional cable basket for cable (optional)



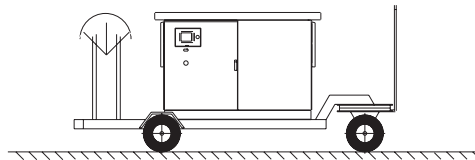
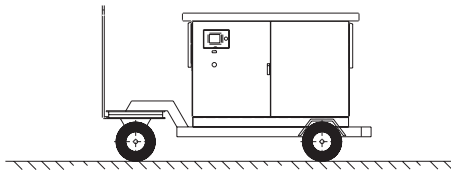
Nothing protects quite like Piller

TECHNICAL DATA SHEET

APOJET Trailer



Type	AJS Trailer	
	Short Version	Extended Version
Dimensions (w x d x h)mm / IN	~ 2750 x 1200 x 1600 / 108.3 x 47.3 x 63	~ 3500 x 1200 x 1600 / 137.8 x 47.3 x 63
Height of loading space above ground	350mm / 13.8IN	
Capacity approx.	1500kg / 3307lbs	
Design	acc. to UVW /STVO	
Security	all edges equipped with red/white reflecting stripes	
Max. speed	8km/h	
Steering	turning knob with double-tire	
Tow bar	foldable tow bar	
Brake	friction brake (only in use with folded tow bar)	
Tires	4 air tires 4.00 x 8 optional hard rubber tires	
Finish	steel frame, galvanized	
Cable storage (optional)	2 cable carriers mounted on back or right side of the cabinet for storage of supply and output cable	
Optional cable storage	additional cable basket for cable mounted on top of the turning knob	



Piller Power Systems GmbH
 Abgunst 24, 37520 Osterode, Germany
 T +49 (0) 5522 311 0
 F +49 (0) 5522 311 414
 E info@piller.com

www.piller.com

Rev.: GSE_11a_0302_AJ_Trailer



PILLER
 Power Systems

A Langley Holdings Company