



PILLER

Power Systems

Technical Description

APOHOIST



Cable Hoist System

1 CABLE HOIST DESCRIPTION

In this construction the cables are stowed away by hooking the Aircraft cable to the designed „cable hangers“ (forming cable loops) and pulling up the cable hanger by means of a lifting device up to the level of the upper edge of the passenger boarding bridge. By this means, dragging of the cable on the apron when moving the bridge is prevented.

The lifting mechanism consists of a chain hoist which has to be hung up at the end of a girder. The girder is fastened at the front side of the passenger boarding bridge roof and projects at the passenger bridge on both sides.

The chain hoist consists of a compact aluminium diecasting housing containing a lifting motor, a cone brake, gear and slipp clutch. The cable hangers are fastened at the end of the lifting chain. The „slack“ end of the lifting chain is stored in a chain box. The chain hoist is protected by an additional cover which is open at the bottom.

Control is carried out via a control panel, mounted at the passenger boarding bridge moving gear, by means of pushbuttons „cable up“ and „cable down“.

2 CABLE HOIST DETAILS

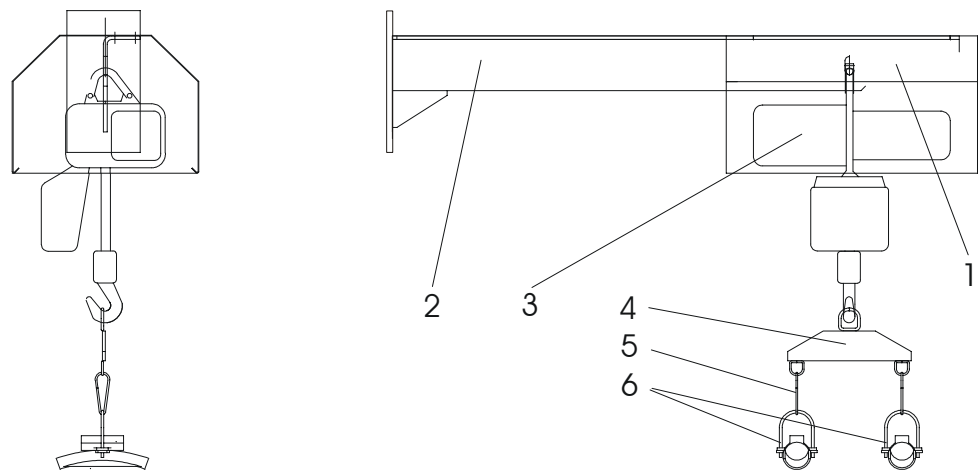


Figure 2-1 Cable hoist details

- | | | | |
|---|--------------|---|----------------|
| 1 | roof | 4 | connecting bar |
| 2 | mounting bar | 5 | connecting bar |
| 3 | chain hoist | 6 | cable holder |

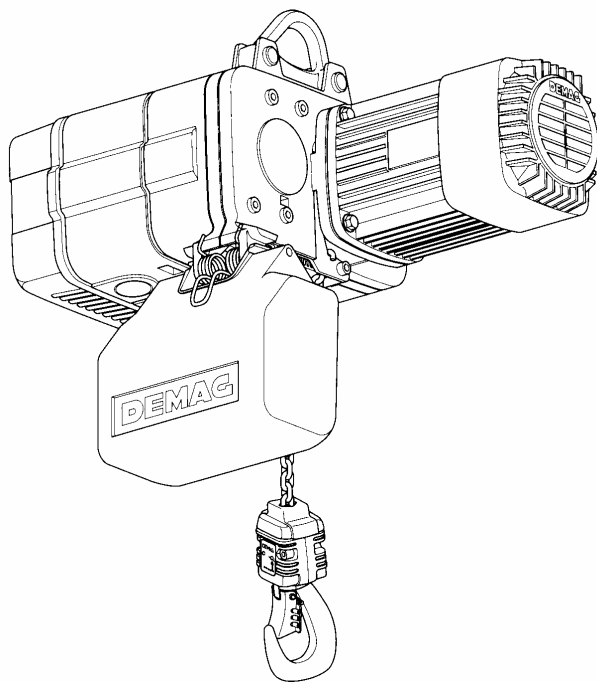


Figure 2-2 Chain hoist

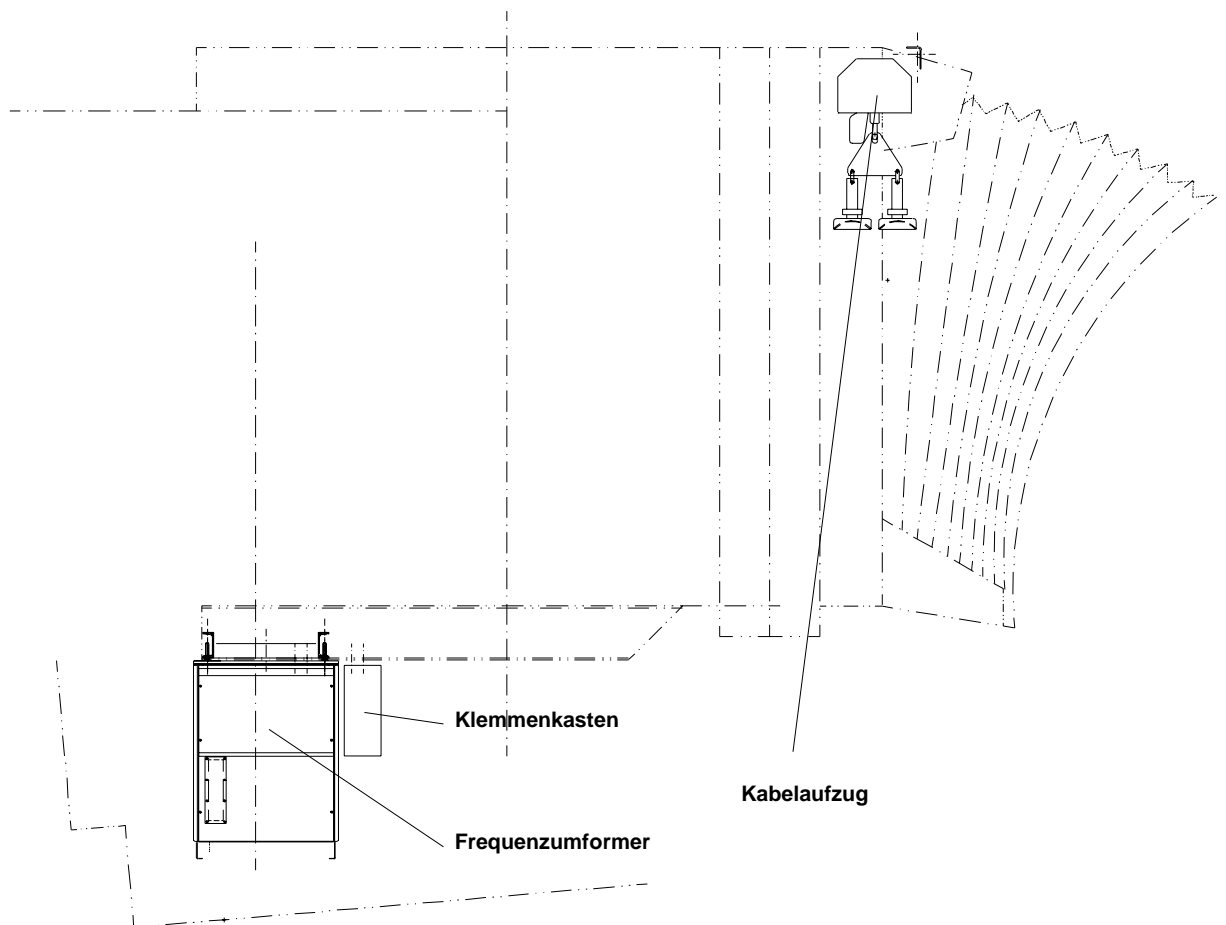


Figure 2-3 Typical mounting arrangement

3 TECHNICAL DATA

| | |
|-----------------|--|
| Control voltage | 400V +/- 10% or 480V +/- 10% |
| Frequency | 50Hz or 60Hz |
| Power | 350W |
| Dimensions | depending from type of passenger boarding bridge |
| Weight | depending from type of passenger boarding bridge |

Remote control

The remote control includes the control elements for the control of the cable lift and is provided for being mounted at the passenger boarding bridge moving gear.

| | |
|------------------------|---|
| Housing: | Sheet steel |
| Type of protection: | IP54 |
| Operating temperature: | -20°C to +50°C |
| Controls: Pushbuttons | cable up, 1 x (2 x on request) cable down, 1 x (2 x on request) emergency off |

Piller Power Systems GmbH
Postfach 1851
37508 Osterode
Deutschland
Tel: +49 (0) 55 22 311 0
Fax: +49 (0) 55 22 311 414
e-mail: PowerSystems@piller.com